

JETRAY

JT 20 TWO FLAVOR SERIES



FEATURES

- Visual display dispensing system creates impulse sales
- Interchangeable three and five gallon bowls (11 and 19 liter) can mix and match to meet variable product demand
- JWT 200 series give you a choice of one or two in-bowl whippers are available on the JWT 200 to serve a variety of whipped and non-carbonated beverages
- Unique pinch tube system dispenses all types of beverages, including those with heavy pulp
- No downtime. Any one bowl can be removed and sanitized while the other operates
- Easy cleaning and maintenance.
- Backed by a worldwide service network



VISUAL DISPLAY DISPENSER



JT 20 TWO FLAVOR SERIES

SPECIFICATIONS

DESCRIPTION

Model	JT 20	JT20-W25 / JT20-W26 (Export)	JWT 202	JWT202-W25 (Export)
Volts	115V 60 Hz	220/240V 50/60 Hz	115V 60 Hz	220/240V 50 Hz
Watts	645	645	1035	1035
Amps	5.6	2.9	9.5	4.7

DISPENSER DIMENSIONS

	w/large bowls	w/small bowls
Height	26 ⁵ / ₈ " (68 cm)	23 ⁵ / ₈ " (60 cm)
Width	16" (41 cm)	16" (41 cm)
Depth	17" (43 cm)	17" (43 cm)

CABINETRY

White plastic and stainless steel

BEVERAGE BOWL & COVER

Transparent, virtually unbreakable LEXAN® resin, with U.S. gallon and liter markings

BEVERAGE CAPACITY

Large.....Approx 10 U.S. gallons (38.0 liters)
Small.....Approx 6 U.S. gallons (22.8 liters)

REFRIGERATION

Jet Spray 1/5 H.P. hermetically sealed system R134a

PACKAGING

Packed in 3 cartons, 1 for base and 2 for bowls

NET WEIGHT	JT SERIES	JWT SERIES
	52 lbs. (23.6 kg)	58 lbs. (26.4 kg)

SHIPPING WEIGHT	JT SERIES	JWT SERIES
	62 lbs. (28.2 kg)	68 lbs. (30.9 kg)

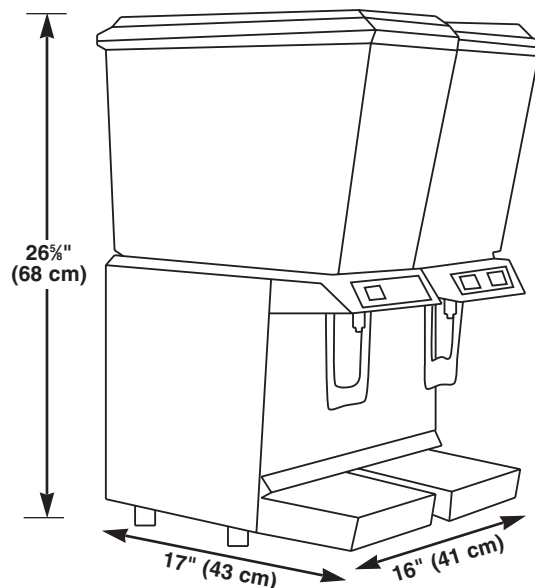
AGENCY LISTINGS



ACCESSORIES



- Circulator adds flexibility for products not suited for spraying. Replace spray system with easy-to-insert device.
- "Non-cup contact" push handle replaces the standard handle to meet all hygiene and sanitary requirements.
- 4" (10.2 cm) Extension legs available where required.
- Locking device prevents unauthorized use of dispenser when unattended.



For more information or to place an order, contact your sales representative or authorized distributor.

©1999 IMI Cornelius

IMI CORNELIUS FOODSERVICE GROUP

One Cornelius Place
Anoka, MN 55303-6234
Tel: 1-888-248-5568 / 1-630-539-5050
Fax 1-800-344-3801 / 1-630-539-6960