



JS7

Single Flavor Series



FEATURES

- Visual display dispensing system promotes impulse sales
- The most compact 5-gallon visual display dispenser available. Uses 25% less counter space
- Accommodates jumbo size cups for maximum profits
- JW6...In-bowl whipper converts the dispenser easily from non-carbonated to whipped drinks
- Unique pinch tube system dispenses all types of beverages, including those with heavy pulp
- Constant recirculation of beverage keeps drinks chilled and fresh
- Sleek, modern design and white cabinetry fit into any foodservice environment
- Easy cleaning and maintenance
- Dispenser is shipped fully assembled, saving on freight and set-up time
- Backed by a worldwide service network

CATJ 8619

J U I C E D I S P E N S E R

SPECIFICATIONS

DESCRIPTION

Model	JS7	JS7-W25 (Export)	JS7-W26 (Export)	JW6	JW5-W25 (Export)	JW6-W26 (Export)
Volts	115V 60 Hz	220/240V 50 Hz	230/208V 60 Hz	115V 60 Hz	220/240V 50 Hz	230/208V 60 Hz
Watts	380	380	380	585	585	585
Amps	3.3	1.5	1.6	5.1	2.6	2.8

DISPENSER DIMENSIONS

Height	26 $\frac{5}{8}$ " (68 cm)
Width	7 $\frac{3}{4}$ " (20 cm)
Depth	17" (43 cm)

CABINETRY

White plastic and stainless steel

BEVERAGE BOWL & COVER

Transparent, virtually unbreakable LEXAN® resin, with U.S. gallon and liter markings

BEVERAGE CAPACITY

Over 5 U.S. gallons (19.0 liters)

REFRIGERATION

Jet Spray 1/6 H.P. hermetically sealed system R134a

NET WEIGHT

JS7/JS7-W25/JS7-W26	44 lbs. (20.0 kg)
JW6/JW5-W25/JW6-W26	47 lbs. (21.4 kg)

SHIPPING WEIGHT

JS7/JS7-W25/JS7-W26	52 lbs. (23.6 kg)
JW6/JW5-W25/JW6-W26	55 lbs. (25.0 kg)

CARTON VOLUME

4.2 cu. ft. (0.10 cu.m.)

AGENCY LISTINGS



ACCESSORIES

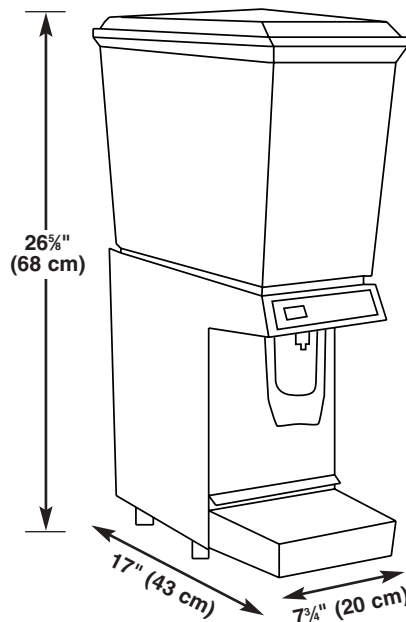


- Circulator adds flexibility for products not suited for spraying. Replace spray system with easy-to-insert device.

- Locking device prevents unauthorized use of dispenser when unattended.

- "Non-cup contact" push handle replaces the standard handle to meet all hygiene and sanitary requirements.

- 4" (10.2 cm) Extension legs available where required.



For more information or to place an order, contact your sales representative or authorized distributor.

In the US:

Phone: 1-800-238-3600

Fax: 1-800-535-4235

Outside the US:

Phone: 1-763-421-6120

Fax: 1-763-422-3297

IMI Cornelius Inc.

One Cornelius Place

Anoka, MN 55303-6234

USA