



Enduro 300

Large Capacity Ice Drink Dispenser



Features:

- Available with eight or ten or twelve UF-1 sanitary lever or push button valves
- Illuminated merchandiser delivers unique high impact marketing message
- Cold plate to valve manifolding design allows for any combination of carbonated or non carbonated flavors
- Gravity ice dispensing with positive shut off provides excellent ice targeting
- Ice used to cool cold plate is separate from ice dispensed into cups
- One piece ABS Thermoformed plastic ice storage hopper (DuraBide™) design provides durability and ensures all ice in hopper is dispensed
- Unit readily accepts top mount cubers with manual ice fill capacity
- Stainless steel cabinet
- Multiple front access coldplate drains
- Modular design allows for easy component access from front of unit
- Two separate ice dispensing chutes
- Dual agitator systems with opposite rotation ensures a full bin of ice



Enduro 300

Technical Specifications:

Ice Storage Capacity: 300 lb. (136 kgs.)

Beverage Manifolding: 8 valve 1-1-1-1-1-1-1-1
10 valve 1-1-1-2-2-1-1-1
12 valve 3-1-2-3-1-2

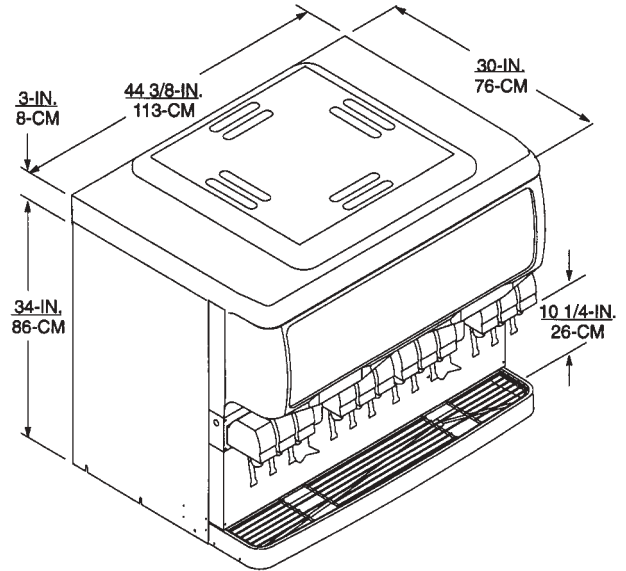
Cup Clearance: 10" (25.40 cm)

Cooling Capacity: Ten 12 oz. drinks / minute @ 75°F

Drain Connection: .75" PVC (NPT) or 1" I.D. flexible tubing

Graphic Dimensions:

Overall Size: Height 11.062 x Width 38.985
View Size: Height 10.249 x Width 37.86



Standard Options: Beverage key switch
timed ice agitation

Electrical Rating: 115V / 60Hz / 5.2 A (single outlet)

Shipping Weight: 430 lbs. (195 kgs.)

Agency Listings:



City of New York
City of Los Angeles

Model No.	Part No.	Description
Enduro 300	02810	Ice Drink Dispenser with 12 UF-1 2.0-4.0 oz. / Sanitary Lever
Enduro 300	02813	Ice Drink Dispenser with 12 UF-1 2.0-4.0 oz. / Push Button Valves
Enduro 300	08017	Leg Kit for ED300 includes (6) 4 inch legs

For Ice Machine adapter kits, please see price book.



For more information or to place an order, contact your sales representative or authorized distributor.

In the US:
Phone: 1-800-238-3600
Fax: 1-800-535-4235
Outside the US:
Phone: 1-763-421-6120
Fax: 1-763-422-3297

IMI Cornelius Inc.
One Cornelius Place
Anoka, MN 55303-6234
USA