



# Enduro 175

## 8 Valve Ice Drink Dispenser



### Features:

#### ■ Features:

- Available with eight UF-1 lever or push button post-mix valves
- Illuminated merchandiser delivers unique, high impact marketing message
- Cold plate to valve manifolding design allows for any combination of carbonated or non-carbonated flavors
- Gravity ice dispensing with positive shut-off provides excellent ice targeting
- Ice used to cool cold plate is separate from ice dispensed into cups
- One piece ABS thermoformed plastic ice storage hopper (Durabide™ design) provides durability and ensures all ice in hopper is dispensable
- Unit readily accepts top mount cubers with manual ice fill capability



# Enduro 175

## Technical Specifications:

**Ice Storage Capacity:** 175 lbs. (79.38 kgs.)

**Beverage Manifolding:** 2-2-1-3

**Cup Clearance:** 9.75" (24.76 cm)

**Cooling Capacity:** 10-12 oz. drinks/minute @75°F

**Drain Connection:** .75" PVC (NPT) or 1" ID flexible tubing

### Graphic Size:

**Overall:** 11.083" x 19.294"

**View:** 10.608" x 18.67"

**Standard Options:** Beverage Key Switch, 4" legs, timed agitation

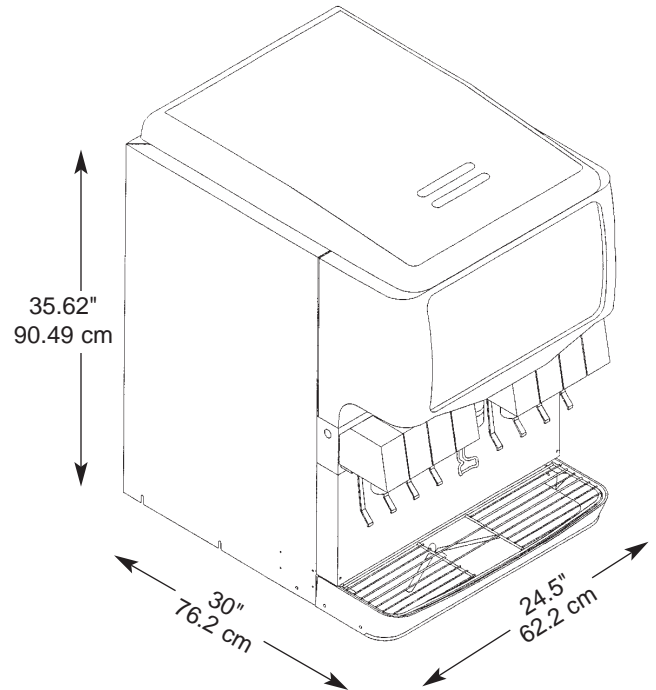
**Electrical Rating:** 115V / 60Hz / 3A

**Shipping Weight:** 230 lbs. (104.33kgs.)

### Agency Listings:



City of New York  
City of Los Angeles



Part Number	Description
621052704	Enduro 175 Ice Drink Dispenser with 8 UFF 3.0 oz./sec. Sanitary Lever Valves
621052705	Enduro 175 Ice Drink Dispenser with 8 UFF 3.0 oz./sec. Push Button Valves
621052703	Enduro 175 Ice Drink Dispenser with 8 UUF 4.5 oz./sec. Sanitary Lever Valves
621052706	Enduro 175 Ice Drink Dispenser with 8 UUFPB 4.5 oz./sec. Push Button Valves
3470	Enduro 175 Dispenser Stand - Stainless Steel 24.50" Wide x 30" Deep x 30" High



For more information or to place an order, contact your sales representative or authorized distributor.

[www.cornelius.com](http://www.cornelius.com)

### In the U.S.:

Phone: 1-800-238-3600

Fax: 1-800-535-4235

### Outside the U.S.:

Phone: 1-763-421-6120

Fax: 1-763-422-3297

### IMI Cornelius, Inc.

One Cornelius Place  
Anoka, MN 55303-6234  
USA