



# EJ1 JET SPRAY

Single-Flavor, Visual-Display Dispenser



## Features

- Eight gallon (30 liter) capacity
- Ideal for high-volume, quick service operations
- Only 16" (40.5 cm) wide – maximum profit from a minimum space
- With available circulators can dispense a wide variety of beverages even natural juices that are not suited for spraying
- Self merchandising visual display creates impulse sales
- Available extension legs and tall cup kit can raise unit 4" (10.2 cm) while lowering drip tray...accommodates a cup size up to 64 oz....allows easy cleaning
- Backed by a worldwide service network

## SPECIFICATIONS

### DESCRIPTION

Model	EJ1	EJ1-W25 (Export)	EJ1-W26 (Export)
Volts	115V 60 Hz	220/240V 50 Hz	220V 60 Hz
Watts	575	575	575
Amps	5.0	2.5	2.5

### DISPENSER DIMENSIONS

Height	25½" (64 cm)
Width	16" (41 cm)
Depth	18" (46 cm)

### BEVERAGE BOWL & COVER

Transparent, virtually unbreakable LEXAN® resin

**BOWL DIAMETER** ..... 20" (50.8 cm)

### CABINETRY

White plastic and stainless steel

### BEVERAGE CAPACITY

8 U.S. gallons (30 liters)

### REFRIGERATION

Jet Spray 1/4 h.p. hermetically sealed system R134A

**NET WEIGHT** ..... 58 lbs. (26 kg)

### SHIPPING WEIGHT

Bowl	13 lbs. (6 kg)
Base	59 lbs. (27 kg)

### CARTON VOLUME

Bowl	4.0 cu.ft. (0.112 cu.m.)
Base	3.8 cu.ft. (0.11 cu.m.)

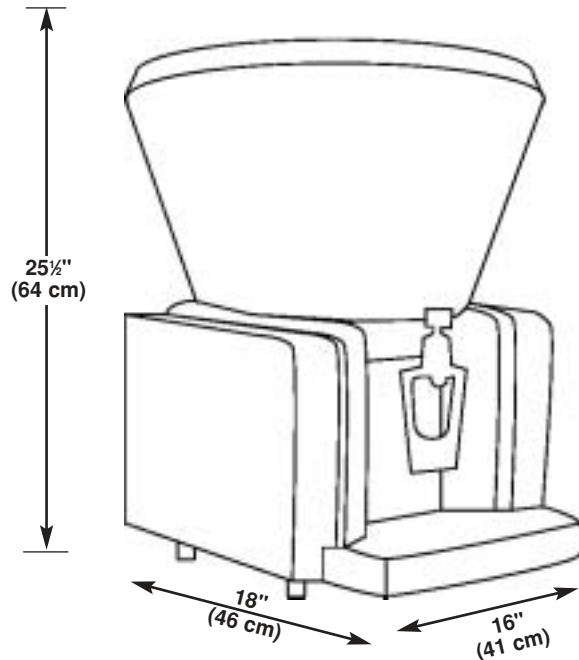
### AGENCY LISTINGS



### ACCESSORIES



- Circulator adds flexibility for products not suited for spraying. Replace spray system with easy-to-insert device.
- Locking device prevents unauthorized use of dispenser when unattended.
- "Non-cup contact" push handle replaces the standard handle to meet all hygiene and sanitary requirements.
- 4" (10.2 cm) Extension legs available where required.



For more information or to place an order, contact your sales representative or authorized distributor.

**In the US:**  
 Phone: 1-800-238-3600  
 Fax: 1-800-535-4235  
**Outside the US:**  
 Phone: 1-763-421-6120  
 Fax: 1-763-422-3297

**IMI Cornelius Inc.**  
 One Cornelius Place  
 Anoka, MN 55303-6234  
 USA